

AP488A/M80H Seat



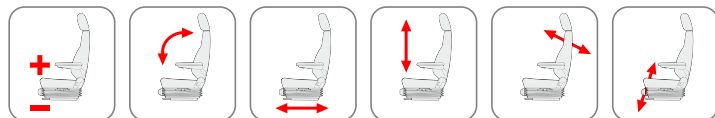
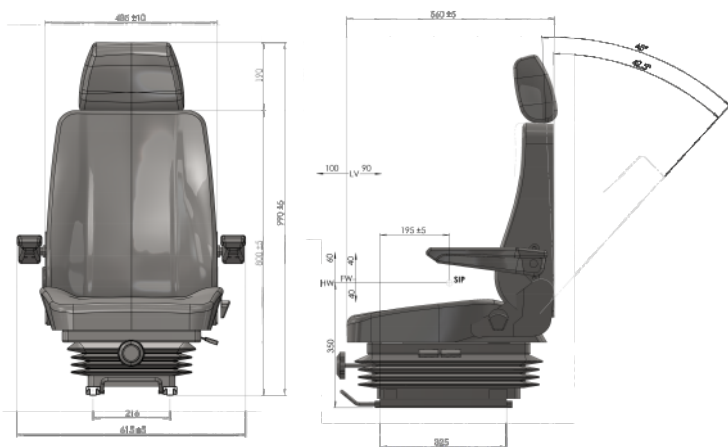
Technical Specifications

Mechanical suspension	<input type="radio"/>
Maximum seat load	150 kg
Backrest reclining	45 degrees
Adjustable sliding seat (forward - backward)	190 mm
Adjustable seat heights	60 mm
Stepless armrests	+/- 30 degrees
Adjustable range of damping vibrations	50 – 130 kg
The amplitude of the vibration damper	80 mm
Adjustable headrest (up - down)	<input type="radio"/>
Manually raising the armrests upright	<input type="radio"/>
Weight	40 kg
Textile and leather upholstery	<input type="radio"/>
Leather headrest	<input type="checkbox"/>
Embroidery on the back of the seat	<input type="checkbox"/>
Footing for the seat	<input type="checkbox"/>
Control button on the left	<input type="radio"/>
Control button on the right	<input type="checkbox"/>
Two armrest version	<input type="radio"/>
One or no armrest version	<input type="checkbox"/>
Heating	<input type="checkbox"/>
Pneumatic suspension	<input type="checkbox"/>
Standards met:	
UIC 651, UIC 564-2, PN-K-02501, PN-K-02511:2000, PN-K-02508, PN-EN 45545-2 HL-2, TSI LOC&PAS roz.1302/2014 p.4.2.9.1.5	

in standard an option



Dimensions





- 1. Armrest Adjusting:** angle setting of the armrest can be done by rotating the knob under the armrest. Armrest can be assembled on the top in order to facilitate the evacuation or exit.
- 2. Manual control of vibration damping system:** you can manually set the weight according to the driver's weight in a range from 50 to 130 kg by turning the adjustment knob.
- 3. Forward and backward control:** the seat can be moved in a range of up to 190 mm by pulling the handle upwards.
- 4. Headrest control:** headrest height and tilt is done manually
- 5. Backrest control:** the backrest can be tilted to 45 degrees from the vertical position by manually pushing the lever tilting.
- 6. Seat adjustment:** height adjustment of the front and rear parts of the seat 60 mm takes place through leaning forward or backward.